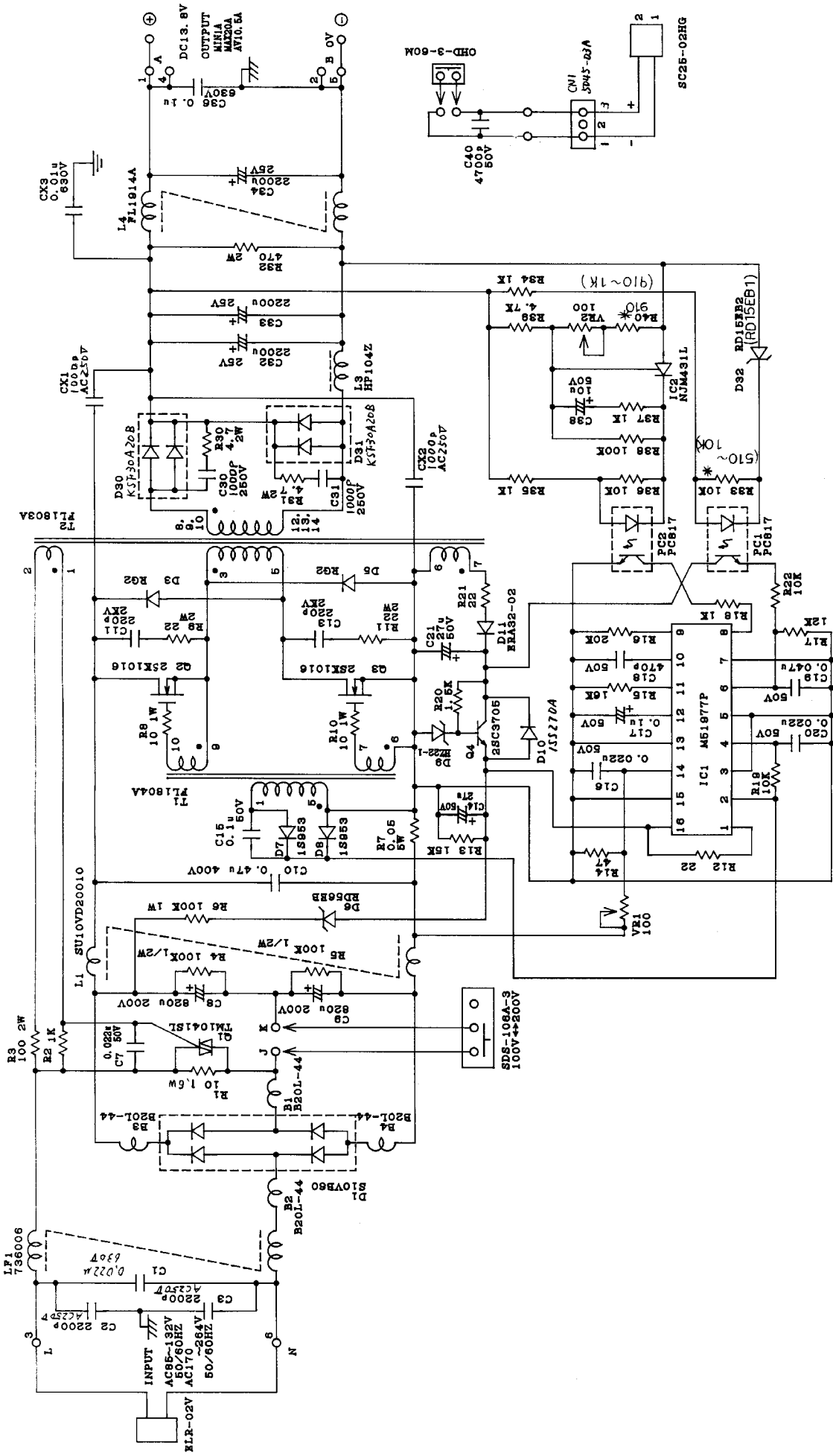


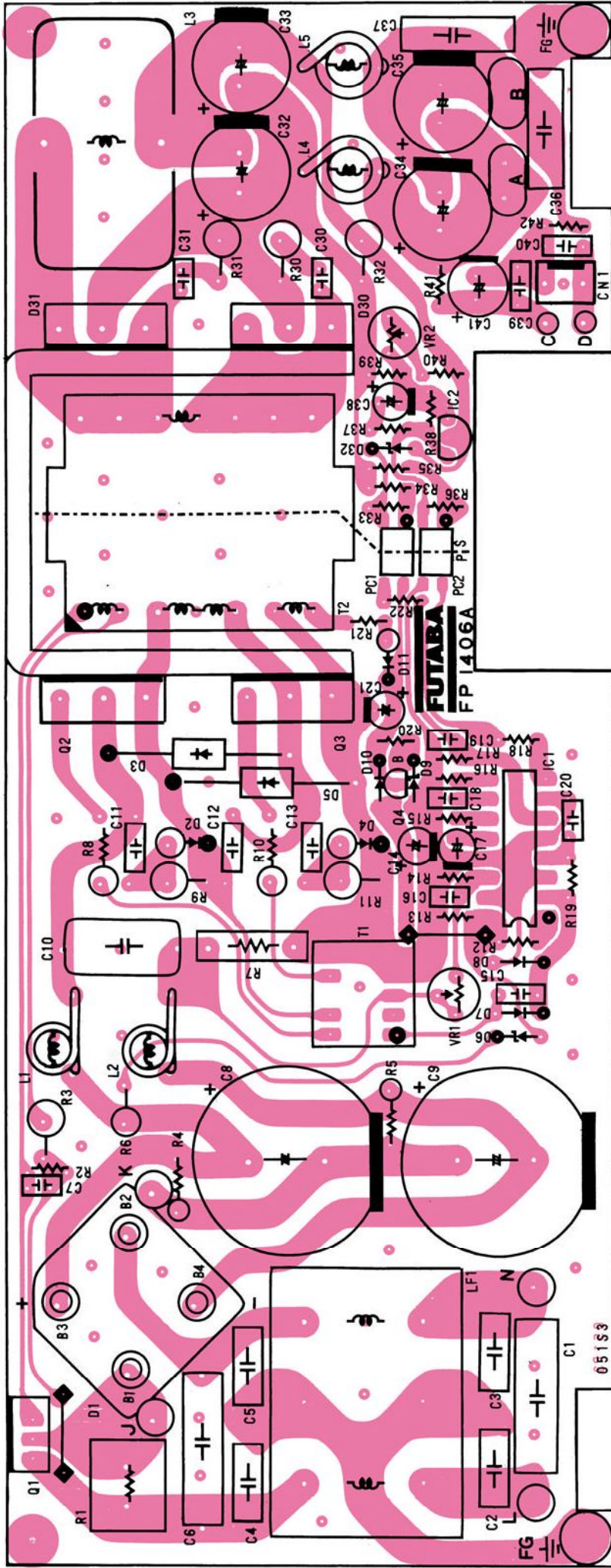
PS Unit

Circuit Diagram

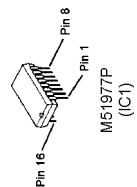
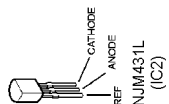
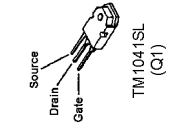
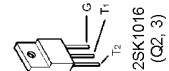
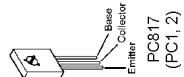
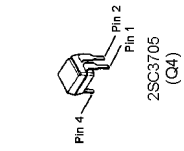


PS Unit

Parts Layout



Side A



PS Unit

Parts List

REF.	DESCRIPTION	VALUE	V/W	TOL.	MFR'S DESIG	VXSTD P/N	VERS.	LOT.	LAY ADR
B1	FERRITE BEADS				B-20L-44	L9190120			
B2	FERRITE BEADS				B-20L-44	L9190120			
B3	FERRITE BEADS				B-20L-44	L9190120			
B4	FERRITE BEADS				B-20L-44	L9190120			
C1	FILM CAP.	0.22uF	630V		MMH224K630	K52280006			
C2	CERAMIC CAP.	2200pF	250V		DE2E3KH222MA3B	K10249002			
C3	CERAMIC CAP.	2200pF	250V		DE2E3KH222MA3B	K10249002			
C7	FILM CAP.	0.022uF	50V		AMZ223K50	K52170008			
C8	AL.ELECTRO CAP.	820uF	200V		SMQ200VSSN820M25B	S8101201			
C9	AL.ELECTRO CAP.	820uF	200V		SMQ200VSSN820M25B	S8101201			
C10	FILM CAP.	0.47uF	400V		ECQE4474KF	K52260001			
C11	CERAMIC CAP.	220pF	2KV		DEHR33D221KC3B	S8101202			
C13	CERAMIC CAP.	220pF	2KV		DEHR33D221KC3B	S8101202			
C14	AL.ELECTRO CAP.	27uF	50V		EEUFC1H270	S8101203			
C15	FILM CAP.	0.1uF	50V		AMZ104K50	K52170009			
C16	FILM CAP.	0.022uF	50V		AMZ223K50	K52170008			
C17	AL.ELECTRO CAP.	0.1uF	50V		KME50VBR1M	S8101204			
C18	FILM CAP.	470pF	50V		AMZ471K50	K52170010			
C19	FILM CAP.	0.047uF	50V		AMZ473K50	K52170011			
C20	FILM CAP.	0.022uF	50V		AMZ223K50	K52170008			
C21	AL.ELECTRO CAP.	27uF	50V		EEUFC1H270	S8101203			
C30	FILM CAP.	1000pF	250V		AMZ102K250	K52240005			
C31	FILM CAP.	1000pF	250V		AMZ102K250	K52240005			
C32	AL.ELECTRO CAP.	2200uF	25V		EEUFC1E222	K40129063			
C33	AL.ELECTRO CAP.	2200uF	25V		EEUFC1E222	K40129063			
C34	AL.ELECTRO CAP.	2200uF	25V		EEUFC1E222	K40129063			
C36	FILM CAP.	0.1uF	630V		MMC104K630	S8101205			
C38	AL.ELECTRO CAP.	10uF	50V		KME50VB10M	S8101206			
C40	CERAMIC CAP.	4700pF	50V		DD107-63B472K50	S8101207			
CN1	CONNECTOR				5045-03A	P0090219			
CX1	CERAMIC CAP.	1000pF	250V		DE2E3KH102MA3B	K12249001			
CX2	CERAMIC CAP.	1000pF	250V		DE2E3KH102MA3B	K12249001			
CX3	FILM CAP.	0.01uF	630V		MMC103K630	K52280009			
D1	DIODE				S10VB60	G2090501			
D3	DIODE				RG2	G2090502			
D5	DIODE				RG2	G2090502			
D6	DIODE				RD56EB	G2090503			
D7	DIODE				1S953	G2009530			
D8	DIODE				1S953	G2009530			
D9	DIODE				HZ22-1	G2090455			
D10	DIODE				1SS270A	G2090754			
D11	DIODE				ERA32-02	G2090505			
D30	DIODE				KSF30A20B	S8101208			
D31	DIODE				KSF30A20B	S8101208			
D32	DIODE				RD15EB2	G2090507			
IC1	IC				M51977P	G1092375			
IC2	REGULATOR				NJM431L	G1091276			
L1	LINE FILTER				SU10VD 20010	S8100251			
L3	RFC				HP104Z	S8100205			
L4	RFC				FL1914A	S8100252			
LF1	LINE FILTER				736006	S8100201			
PC1	PHOTO COUPLER				PC817-X3	S8101209			
PC2	PHOTO COUPLER				PC817-X3	S8101209			
Q1	TRIACK				TM1041S-L	G3090096			
Q2	MOS FET				2SK1016-01	G3810160			
Q3	MOS FET				2SK1016-01	G3810160			
Q4	TRANSISTOR				2SC3705	G3337050			
R1	FUSE RES.	10	1.6W		A53K-100J	S8101210			
R2	CARBOM FILM RES.	1k	1/4W		RD16S-1KΩ	J01245102			
R3	METAL FILM RES.	100	2W		ERG2SJ-101	J22335101			
R4	CARBOM FILM RES.	100k	1/2W		ERD50TJ104	S8101211			
R5	CARBOM FILM RES.	100k	1/2W		ERD50TJ104	S8101211			
R6	METAL FILM RES.	100k	1W		ERG1SJ-104	J22309049			
R7	RES.	0.05	5W		MPC75-0.05Ω	J31379002			
R8	METAL FILM RES.	10	1W		ERG1SJ-100	J22305100			
R9	METAL FILM RES.	22	2W		ERG2SJ-220	J22335220			
R10	METAL FILM RES.	10	1W		ERG1SJ-100	J22305100			
R11	METAL FILM RES.	22	2W		ERG2SJ-220	J22335220			

PS Unit

Parts List

REF.	DESCRIPTION	VALUE	V/W	TOL.	MFR'S DESIG	VXSTD P/N	VERS.	LOT.	LAY ADR
R12	CARBOM FILM RES.	22	1/4W		RD16S-22Ω	J01245220			
R13	CARBOM FILM RES.	15k	1/4W		RD16S-15KΩ	J01245153			
R14	CARBOM FILM RES.	47	1/4W		RD16S-47Ω	J01245470			
R15	CARBOM FILM RES.	16k	1/4W		RD16S-16KΩ	S8101212			
R16	CARBOM FILM RES.	20k	1/4W		RD16S-20KΩ	S8101213			
R17	CARBOM FILM RES.	12k	1/4W		RD16S-12KΩ	J01245123			
R18	CARBOM FILM RES.	1k	1/4W		RD16S-1KΩ	J01245102			
R19	CARBOM FILM RES.	10k	1/4W		RD16S-10KΩ	J01245103			
R20	CARBOM FILM RES.	1.5k	1/4W		RD16S-1.5KΩ	J01245152			
R21	CARBOM FILM RES.	22	1/4W		RD16S-22Ω	J01245220			
R22	CARBOM FILM RES.	10k	1/4W		RD16S-10KΩ	J01245103			
R30	METAL FILM RES.	4.7	2W		ERG2SJ-4R7	J22335479			
R31	METAL FILM RES.	4.7	2W		ERG2SJ-4R7	J22335479			
R32	METAL FILM RES.	470	2W		ERG2SJ-471	J22305471			
R33	CARBOM FILM RES.	10k	1/4W		RD16S-10KΩ	J01245103			
R34	CARBOM FILM RES.	1k	1/4W		RD16S-1KΩ	J01245102			
R35	CARBOM FILM RES.	1k	1/4W		RD16S-1KΩ	J01245102			
R36	CARBOM FILM RES.	10k	1/4W		RD16S-10KΩ	J01245103			
R37	CARBOM FILM RES.	1k	1/4W		RD16S-1KΩ	J01245102			
R38	CARBOM FILM RES.	100k	1/4W		RD16S-100KΩ	J01245104			
R39	CARBOM FILM RES.	4.7k	1/4W		RD16S-4.7KΩ	J01245472			
R40	CARBOM FILM RES.	910	1/4W		RD16S-910Ω	S8101214			
SW1	SWITCH				SDS-106A-C3CCV5	S8101215			
T1	DRIVER TRANS				FL1804A	S8100202			
T2	CONVERTER TRANS				FL1803A	S8100203			
VR1	POTENTIOMETER	100			EVM38GA00B12	S8101216			
VR2	POTENTIOMETER	100			EVM38GA00B12	S8101216			